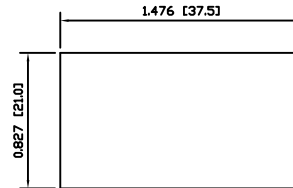
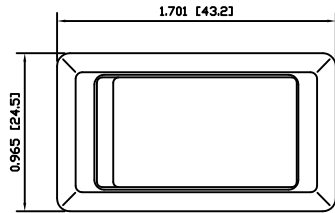


SUGGESTED PANEL CUTOUT



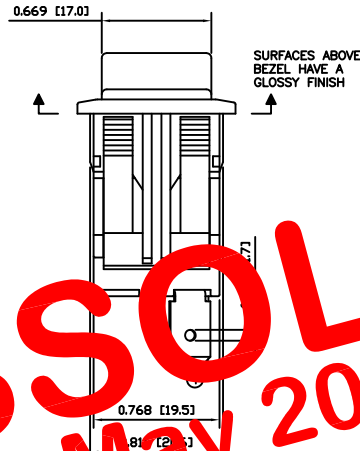
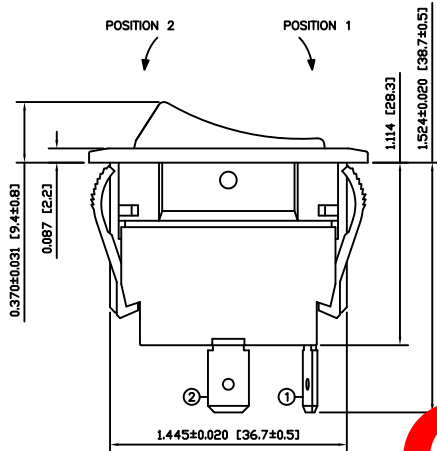
MATERIALS

- BODY:**
Polyamide 6/6 (PA66), UL94 V-2
- ACTUATOR:**
Polyamide 6/6 (PA66), UL94 V-2
- SEALING MEMBRANE:**
Polyvinyl Chloride (PVC)
- SPRING:**
Piano Wire
- MOBILE CONTACT BAR:**
Copper
- CONTACT PADS:**
Silver Clad Copper
- RIVETS:**
Copper
- TERMINALS:**
Silver Plated Brass

SPECIFICATIONS

- FUNCTION:**
2P1T OFF-(ON)
- RATINGS:**
ANSI/UL 508 and CAN/CSA C22.2 No.14 (E195908):
20A 125VAC [cURus]
15A 277VAC [cURus]
1.5HP 110/250VAC [cURus]
- CONTACT RESISTANCE:**
Initial: 10mΩ Max.
- ELECTRICAL LIFE:**
6,000 Cycles [cURus]
- TEMPERATURE:**
Operating: 0°C to 40°C [cURus]
- INGRESS PROTECTION:**
IP54
- APPROVALS:**
 RoHS COMPLIANT

POSITION 2 POSITION 1

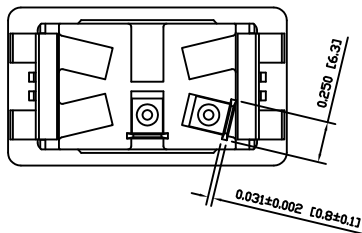
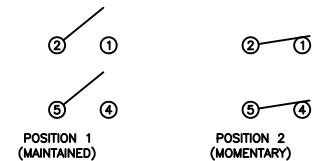


OBSOLETE
May 2017
PCR 22508

COLORS AND MARKINGS

- BODY COLOR:**
Black
- ACTUATOR COLOR:**
White
- MARKING:**
None
- MARKING COLOR:**
None

SCHEMATIC



ACTUATOR	B	10/05/28	CAB
BODY	B	10/05/28	CAB
COLORS	A	09/07/28	CAB
MATERIALS	C	10/03/01	CAB
SPECIFICATIONS	C	10/03/01	CAB
REFERENCE	REV.	DATE	BY

THE INFORMATION CONTAINED IN THIS DOCUMENT IS PROPRIETARY TO E-SWITCH AND IS NOT TO BE COPIED OR TRANSFERRED

C	CORRECTED HP SPECIFICATION, with 2.0HP	21787	02/19/15	rc
B	CORRECTED SPECIFICATIONS	PCR00247	09/12/09	CAB
A	INITIAL RELEASE	PCR00050	09/07/28	CAB
REV.	DESCRIPTION	PCR	DATE	DRAWN BY

DIMENSIONS	
INCHES [MILLIMETERS]	
GENERAL TOLERANCES	
±0.008 [±0.2] / ±1°	
SCALE	PROJECTION
DRAWING NOT TO SCALE	

RWVG4ED1200

DRAWING NUMBER 34-RWVG4ED1200	DATE DECEMBER 9, 2009	REVISION C
----------------------------------	--------------------------	---------------